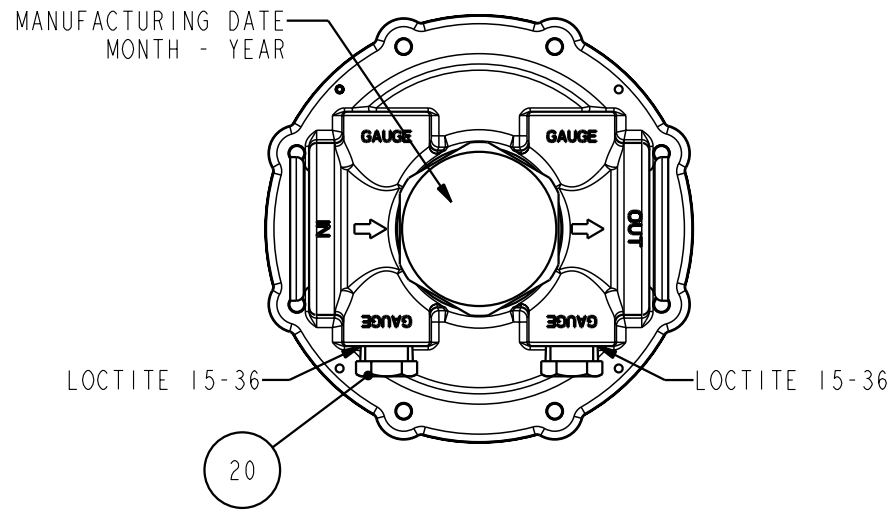


This drawing may not be copied or distributed in any way without the written permission of Cavagna Group Div. RE.CA. Via Matteotti, 5 - Calvisano - BS - Italy



LABEL FOR EXPEDITION BOX

942HP

First stage HP regulator  
LPG 0.5-3 bar 250 kg/h  
INLET: 1" NPT FEMALE  
OUTLET: 1" NPT FEMALE  
MADE IN ITALY

Date: \_\_\_\_\_ pos per carton: 12

LABEL FOR REGULATOR

MADE IN ITALY

Cavagna Group  
LPG PRODUCTS  
942HP

LPG

$P_{in} = P_d + 0.5 \pm 16 \text{ bar}$

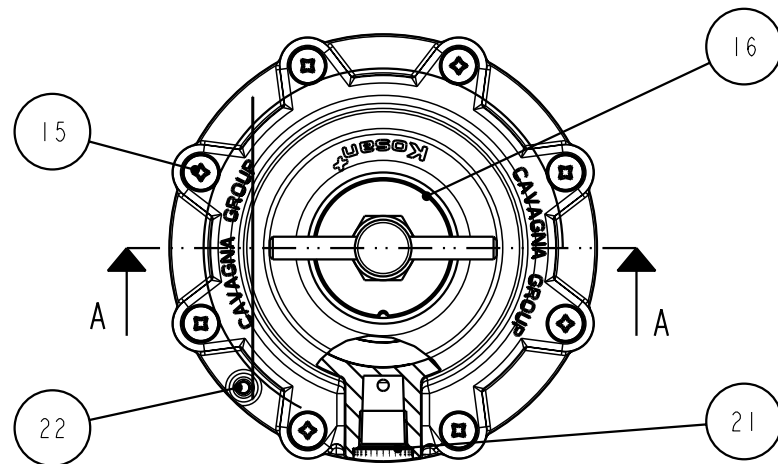
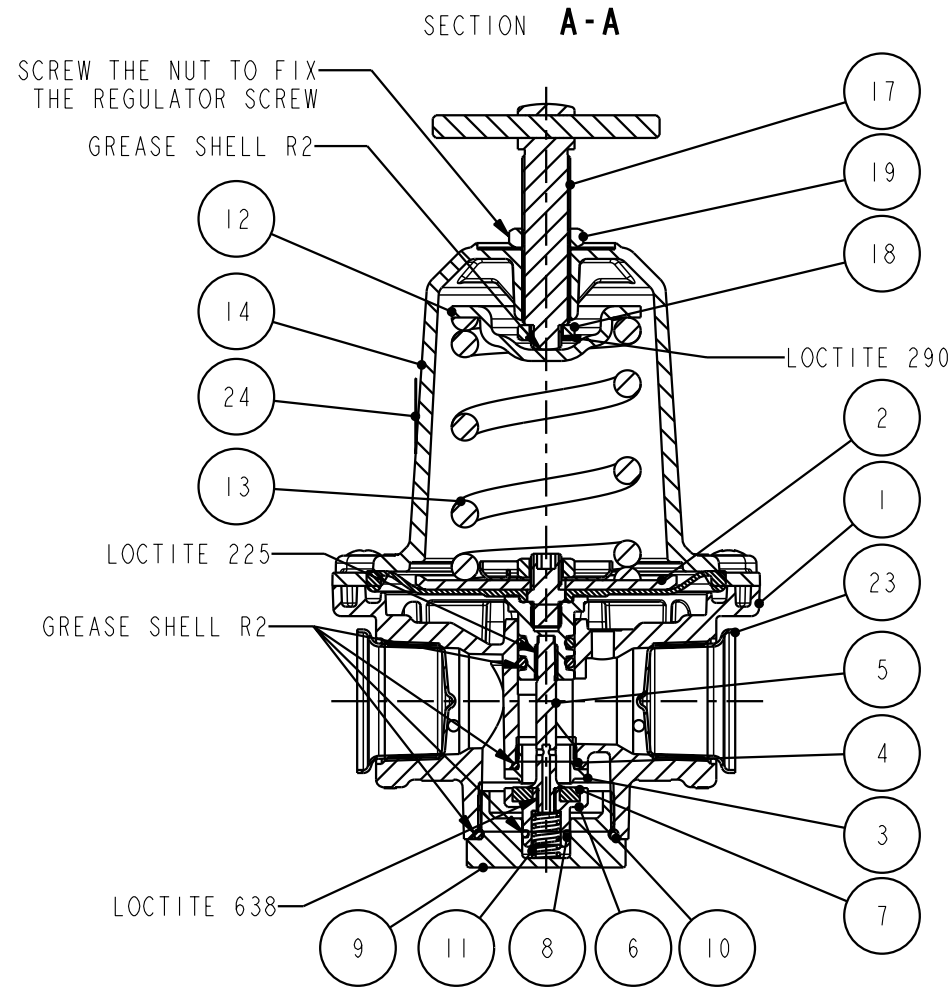
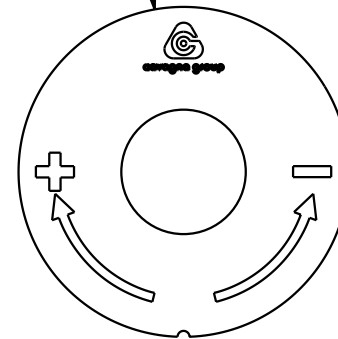
FLOW 250 kg/h

G.18/H.11

$P_d = 0.5 \pm 3 \text{ bar}$

EN 16129

NAMEPLATE



NO	NO PRODUCT	DENOMINATION	Q. TY
1	00-1-950-0169	S/A PAINTED BODY RED RAL 3020 (1"NPT x 1"NPT)	1
2	09-1-950-0153	S/A DIAPHRAGM FOR HP REGULATOR	1
3	16-1-150-0039	ORIFICE FOR HP REGULATOR - Ø12.7 MACHINED	1
4	04-1-110-0089	O-RING Ø14.5 X 1.78	1
5	03-1-110-0298	PISTON FOR HP REGULATOR BALANCED	1
6	03-1-110-0293	BALANCED PISTON FOR CRYOGENIC REGULATOR	1
7	06-1-110-0042	SEAT DISC FOR CRYOGENIC REGULATOR	1
8	04-1-110-0151	O RING Ø9.25 X 1.78	1
9	19-1-110-0041	CUP M36x1.5 FOR HP BALANCED REGULATOR	1
10	04-1-110-0123	O-RING Ø32.99 X 2.62	1
11	07-1-110-0602	SPRING FOR ORIFICE CLOSE	1
12	08-1-110-0069	SPRING RETAINER FOR HP REGULATOR	1
13	07-1-110-0617	SPRING FOR ADJUSTABLE REGULATOR 0.5-3 bar	1
14	01-1-950-0140	S/A PAINTED COVER RED RAL 3020	1
15	14-1-110-0049	SCREWS M5 - L=16mm	8
16	18-1-110-2466	NAME PLATE FOR REGULATOR TYPE 942	1
17	13-1-950-0086	S/A ADJUSTING SCREW FOR VARIABLE REGULATOR	1
18	10-1-110-1013	NUT M8X1	1
19	10-1-110-1021	NUT 1/2" - 20UNF	1
20	19-1-110-0504	TAPPO 1/4 NPT	2
21	17-1-110-0085	FILTER FOR FLANGE Ø16	1
22	32-2-110-0001	RIBATTINO JUMBO (ASS)	1
23	19-1-110-2087	THREAD PROTECTOR FOR 1"NPT	2
24	34-1-310-0981	LABEL FOR ADJUSTABLE REG TYPE 942HP	1
25	34-1-110-0990	INSTRUCTION FOR REGULATOR TYPE 942 (UK)	1
26	23-1-210-0522	SINGLE-BOX FOR KOSAN+ REGULATOR	1
27	23-1-510-0051	STANDARD BOX (R76)	1
28	34-1-210-4765	LABEL FOR EXPEDITION BOX	1

 <b>cavagna group</b>	<b>DENOMINATION</b> HP BALANCED ADJUST. REG. (0.5-3 bar)		LPG 0.5-3 bar 250 kg/h			
	RECA 942		N.A.			
<b>PERFORMANCE DOC.</b> 94-008	<b>COUNTRY</b> GIORDANIA	<b>COUNTRY SPECIFIC</b> EN16129	<b>INLET</b> 1" NPT FEMALE	<b>OUTLET</b> 1" NPT FEMALE	<b>SHARED</b> N.A.	<b>PROD. INT GROUP</b> -
<b>PROD. EVOLUTION</b> DEFINITIVE	<b>PROJECT NO</b> DS06784	<b>RELEASE LEVEL</b> APPROVED+	<b>WEIGHT</b> N.A.	<b>SCALE</b> 1:2	<b>MODIFY FILE</b> N.A.	<b>REV</b> 0
			<b>DATE</b> 29/04/19	94-1-290-0033		0